

Dovetail joint guarantees infinite extension **with no waste**



blaugelb Plinth Thermal Insulation Profile IHP/EPS

For perfect insulation results.

- **Best possible heat and moisture protection on house and balcony doors**
- **Protects against driving rain, moisture and mould formation**
- **Can be infinitely extended in length and coupled in height**
- **No waste, mobile - for workshop and building site use**

Product features:

The blaugelb Plinth Thermal Insulation Profile IHP/EPS (integral rigid foam board/expanded rigid polystyrene foam) offers the best possible heat and moisture protection on front and balcony doors made from wood, wood/aluminium, aluminium and plastic. The blaugelb Plinth Thermal Insulation Profile IHP/EPS is comprised of an EPS rigid foam core and two layers of integral rigid foam board. The integral rigid foam board has IW67 bonding quality and is bonded with an adhesive of D3 quality (EN 204-D3).

Product benefits:

Benefits of plinth thermal insulation using the Plinth Thermal Insulation Profile IHP/EPS:

- Effective insulation offering high potential savings
- Plinth thermal insulation permanently eliminates energy weak points on components installed on floor slabs and enhances indoor comfort
- Plinth thermal insulation using the blaugelb Plinth Thermal Insulation Profile IHP/EPS prevents damage caused by moisture and mould

Benefits of dovetail joints:

- Quick and easy to fit
- Mobile – for workshop or building site use
- No metal fasteners required
- Can be infinitely extended in length and coupled in height
- No waste

Technical data:

Surface and cover plate:	on both sides 10 mm IHP white
Thermal insulation:	EPS perimeter 30 kg/m ³ , intensive expanded rigid polystyrene foam
Gluing:	IW67 waterproof D3 (EN204-D3)
blaugelb Plinth Thermal Insulation Profile 50 mm thickness:	10 mm 30 mm 10 mm
blaugelb Plinth Thermal Insulation Profile 64 mm thickness:	10 mm 44 mm 10 mm
blaugelb Plinth Thermal Insulation Profile 66 mm thickness:	10 mm 46 mm 10 mm
blaugelb Plinth Thermal Insulation Profile 68 mm thickness:	10 mm 48 mm 10 mm
blaugelb Plinth Thermal Insulation Profile 74 mm thickness:	10 mm 54 mm 10 mm
Thermal conductivity U value at 50 mm:	0.733 W/m ² K
Thermal conductivity U value at 64 mm:	0.559 W/m ² K
Thermal conductivity U value at 66 mm:	0.548 W/m ² K
Thermal conductivity U value at 68 mm:	0.523 W/m ² K
Thermal conductivity U value at 74 mm:	0.478 W/m ² K
Screw withdrawal value: SPT 4.3x40 at a vertical engagement depth of 17 mm	1,750 N
Screw withdrawal value: Frame Screw Fix FK-T30 2x 7.5x42	3,240 N
Pressure resistance:	4,600 kg/m

Product name	PU	Item no.
blaugelb Plinth Thermal Insulation Profile IHP/EPS 2988x40x50 mm	1 piece	9066449
blaugelb Plinth Thermal Insulation Profile IHP/EPS 2988x100x50 mm	1 piece	9066450
blaugelb Plinth Thermal Insulation Profile IHP/EPS 2988x130x50 mm	1 piece	9066451
blaugelb Plinth Thermal Insulation Profile IHP/EPS 2988x140x50 mm	1 piece	9066452
blaugelb Plinth Thermal Insulation Profile IHP/EPS 2988x150x50 mm	1 piece	9066453
blaugelb Plinth Thermal Insulation Profile IHP/EPS 2988x180x50 mm	1 piece	9066554
blaugelb Plinth Thermal Insulation Profile IHP/EPS 2988x40x64 mm	1 piece	9066447
blaugelb Plinth Thermal Insulation Profile IHP/EPS 2988x100x64 mm	1 piece	9052719
blaugelb Plinth Thermal Insulation Profile IHP/EPS 2988x130x64 mm	1 piece	9052720
blaugelb Plinth Thermal Insulation Profile IHP/EPS 2988x140x64 mm	1 piece	9066448
blaugelb Plinth Thermal Insulation Profile IHP/EPS 2988x150x64 mm	1 piece	9052721
blaugelb Plinth Thermal Insulation Profile IHP/EPS 2988x180x64 mm	1 piece	9052722
blaugelb Plinth Thermal Insulation Profile IHP/EPS 2988x30x66 mm Profine 76 contour	1 piece	9198943
blaugelb Plinth Thermal Insulation Profile IHP/EPS 2988x40x66 mm	1 piece	9072828
blaugelb Plinth Thermal Insulation Profile IHP/EPS 2988x95x66 mm Profine 76 contour	1 piece	9199054
blaugelb Plinth Thermal Insulation Profile IHP/EPS 2988x100x66 mm	1 piece	9072829
blaugelb Plinth Thermal Insulation Profile IHP/EPS 2988x120x66 mm Profine 76 contour	1 piece	9199055
blaugelb Plinth Thermal Insulation Profile IHP/EPS 2988x140x66 mm	1 piece	9072830
blaugelb Plinth Thermal Insulation Profile IHP/EPS 2988x150x66 mm Profine 76 contour	1 piece	9199056
blaugelb Plinth Thermal Insulation Profile IHP/EPS 2988x40x68 mm	1 piece	9123862
blaugelb Plinth Thermal Insulation Profile IHP/EPS 2988x100x68 mm	1 piece	9052723
blaugelb Plinth Thermal Insulation Profile IHP/EPS 2988x130x68 mm	1 piece	9052764
blaugelb Plinth Thermal Insulation Profile IHP/EPS 2988x150x68 mm	1 piece	9052765
blaugelb Plinth Thermal Insulation Profile IHP/EPS 2988x180x68 mm	1 piece	9052766
blaugelb Plinth Thermal Insulation Profile IHP/EPS 2988x30x74 mm Profine 88 contour	1 piece	9199057
blaugelb Plinth Thermal Insulation Profile IHP/EPS 2988x40x74 mm	1 piece	9123863
blaugelb Plinth Thermal Insulation Profile IHP/EPS 2988x95x74 mm Profine 88 contour	1 piece	9199058
blaugelb Plinth Thermal Insulation Profile IHP/EPS 2988x100x74 mm	1 piece	9052767
blaugelb Plinth Thermal Insulation Profile IHP/EPS 2988x120x74 mm Profine 88 contour	1 piece	9199059
blaugelb Plinth Thermal Insulation Profile IHP/EPS 2988x130x74 mm	1 piece	9052768
blaugelb Plinth Thermal Insulation Profile IHP/EPS 2988x150x74 mm	1 piece	9052769
blaugelb Plinth Thermal Insulation Profile IHP/EPS 2988x150x74 mm Profine 88 contour	1 piece	9199060
blaugelb Plinth Thermal Insulation Profile IHP/EPS 2988x180x74 mm	1 piece	9052770
Twist drill DIN 1869 HSS-G extra long D = 6 mm, L = 330 mm	1 piece	0417239

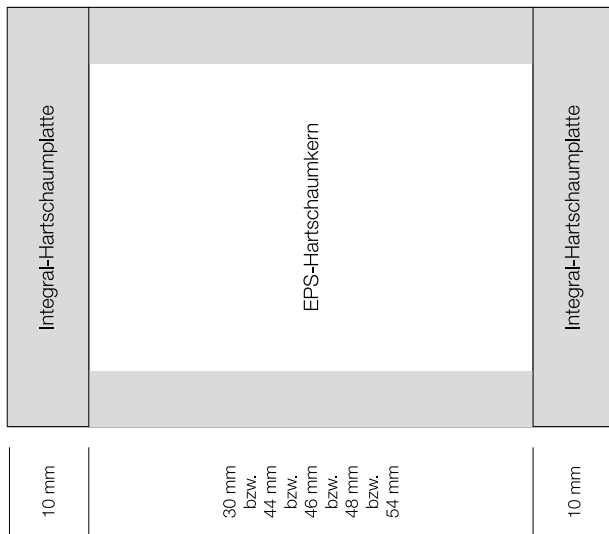
If carried out properly according to DIN 18531 and based on DIN 68800-2 fig. A.11-14, sealing offers sufficient protection against moisture, particularly for:

- Rising moisture from below (floor slab)
- Moisture stresses from the outside (driving rain)
- Moisture stresses from the inside (condensate, diffusion tightness)
- Lateral moisture stresses from the brickwork

If carried out properly, sealing on the inside and outside between the blaugelb Plinth Thermal Insulation Profile IHP/EPS at the top and the elements at the bottom ensures lasting impermeability provided that sealing is performed in accordance with DIN 18531.

For the holes we recommend a special chip-removing ground finish (e.g. using a twist drill DIN 1869 HSS-G extra long, item no. 0417239 for drilling extremely deep holes under difficult drilling conditions such as poor chip removal).

Cross-section of a blaugelb Plinth Thermal Insulation Profile IHP/EPS:

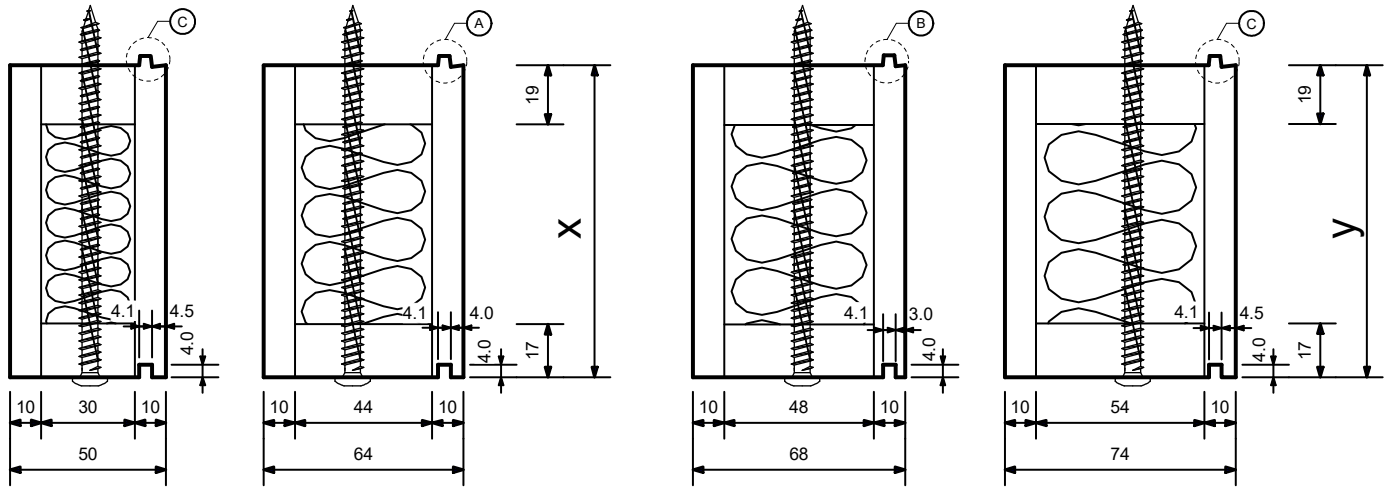


Disposal:

According to Waste Catalogue Ordinance:

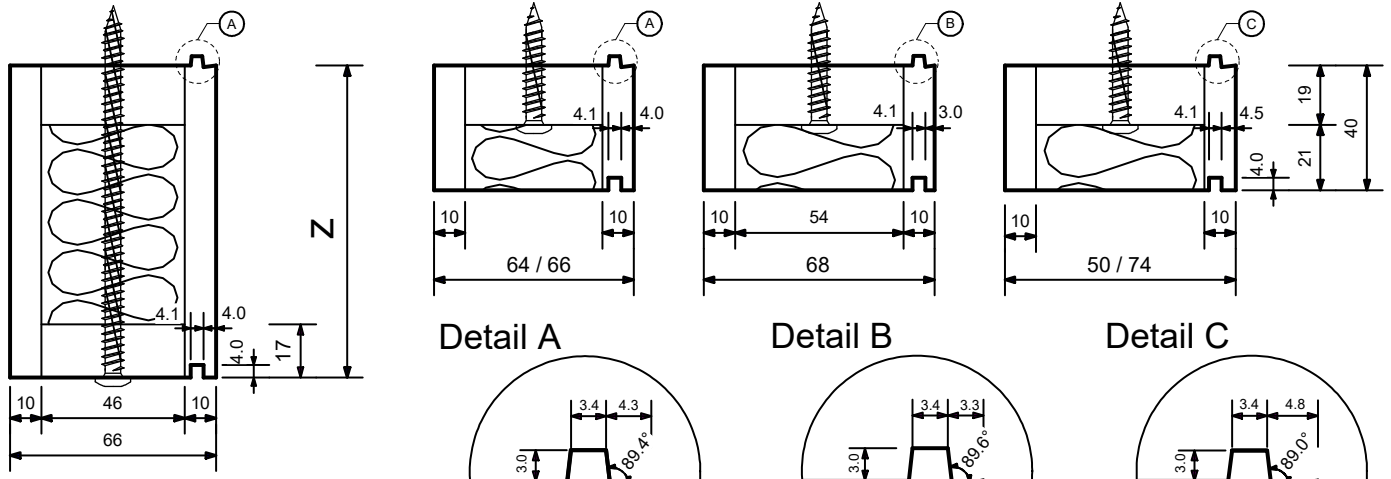
Code no. 170604 (single-origin product)

Code no. 170904 (mixed construction waste)



x ...100/130/140/150/180

y ...100/130/150/180



z ...100/140

Detail A

Detail B

Detail C

