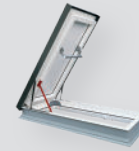


Features:

- suitable for roof pitches between 0-5 degrees
- hatch R-value of 8.33
- the sash can be opened up to 60°
- sound reduction index Rw 30 dB
- anti-slip tape on the base ensures safe access to the flat roof
- option to install an additional ZBR lock which protects against accidental closure of the sash
- DRL 27 1/2" x 59 1/2" can be combined with LML folding ladder to create complete roof access solution

TECHNICAL SPECIFICATION

Flat roof hatch DRL



I. APPLICATION

Installation	required roof pitch 0° - 5°
	deck mounted

II. FEATURES

Frame structure	multi-chamber PVC profile filled with insulation material (Polystyrene)
Sash	white PVC inner panel, 44mm XPS insulation board, External sash cover: aluminum sheet in RAL 7022 color
Termination Bar	included with installation hardware
Opening method	manually, up to an angle of 60°
Warranty	5 years for hatch 2 years for gas springs

III. TECHNICAL PARAMETERS

Technical parameters	Glazing unit type		Harmonised standards
	[BTU/h ft²F]		
R-value		8.3	EN 14351-1:2006+A2:2016
Wind load resistance	Class C5/B5		
Impact resistance	Class 5 - 950 mm		

IV. OPTIONAL ACCESSORIES

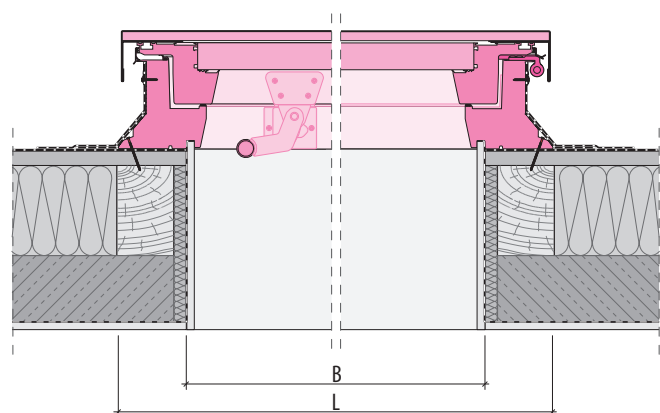
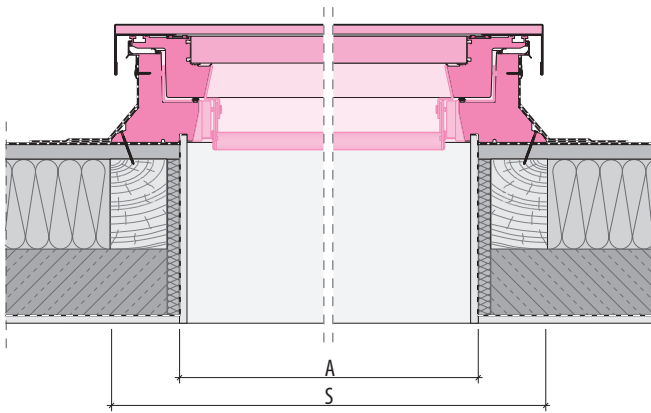
Roof access folding ladders	LML 27 1/2 x 51 for ceiling height 8'4" - 10'3" LML 27 1/2 x 47 for ceiling height 7'8" - 9'2"
Mounting accessories	- the XRD/W installation base allows raising the roof hatch by 6 inches. Maximum three bases XRD/W can be joined.

V. DIMENSIONS				
Size		30" x 30"	30" x 36"	36" x 36"
Rough opening (AxB)	in.	29 7/8 x 29 7/8	29 7/8 x 34 3/4	34 3/4 x 34 3/4
Outside frame (SxL)	in.	39 3/4 x 39 3/4	39 1/4 x 44 1/8	44 1/8 x 44 1/8

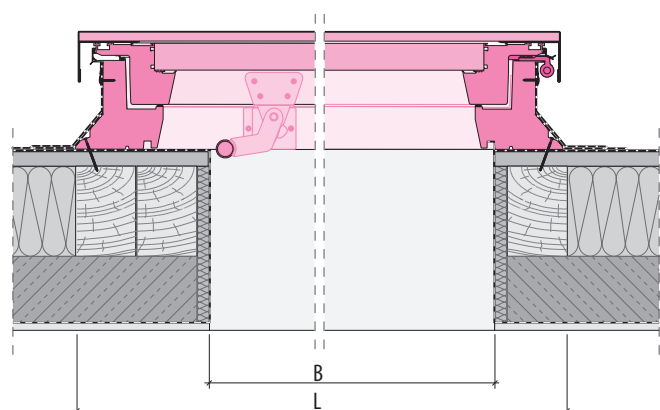
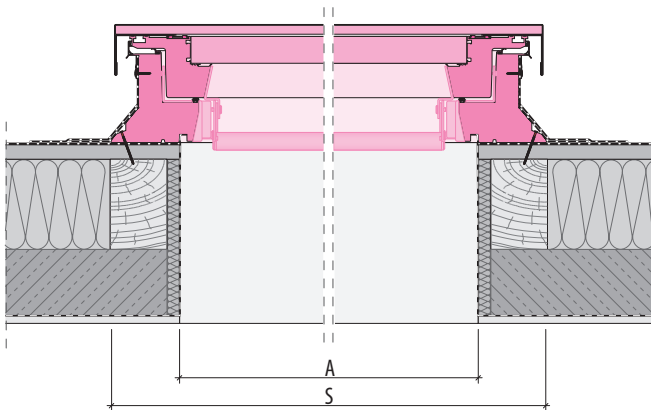
SPECIAL SIZE			
27 1/2" x 59 1/2"	Single installation	Combined with LML 27 1/2" x 51"	Combined with LML 27 1/2" x 47"
27 1/2 x **	27 1/2 x 59 1/2 or 27 1/2 x 51	27 1/2 x 51	27 1/2 x 47
35 3/8 x 68 7/8			

** Length of the rough opening will depend on installation configuration

Sizes: 30" x 30", 30" x 36", 36" x 36"



Special size DRL 27 1/2" x 59 1/2" with R.O. 27 1/2" x 5" to create a step on a roof surface



FAKRO America LLC
39 W. Factory Road, Addison, IL
Ph: 630-543-1010 / office@fakrousa.com