

TECHNICAL SPECIFICATION



Manual Venting Skylight FV



I. APPLICATION

Installation	required roof pitch 15°-85°
	deck mounted

II. FEATURES

Frame material	Pine - Pressure Treated
Frame finish	Two layers of clear acrylic lacquer
Glazing	G31 - Low-E tempered over laminated - double-pane glazing unit with warm TGI spacer and Argon gas
Gaskets System	Three rubber gaskets
Control	Crank (included) or SZS control rod (not included)
Warranty	10 years for skylight and glazing

III. TECHNICAL PARAMETERS

Technical parameters	Glazing unit type	
	Unit	G31
U-factor	[BTU/h ft ² F]	0.41
Ug for glazing unit	[BTU/h ft ² F]	0.19
Solar Heat Gain Coefficient	-	0.19
Air Leakage	[cfm/ft ²] @ 1.57 psf, tested size 24x70	0.06
Visible Transmittance	-	0.36
UV protection	-	99.8
Condensation Resistance	-	53
Water Penetration Resistance Test Pressure	[Pa]	730
Wind load resistance	Class C1/B1	
Impact resistance	Class 3 - 450 mm	

IV. ADDITIONAL PRODUCTS TO BE USED

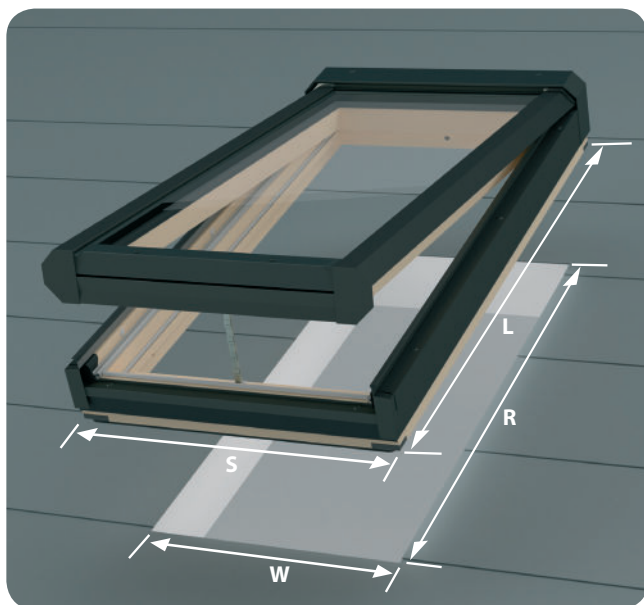
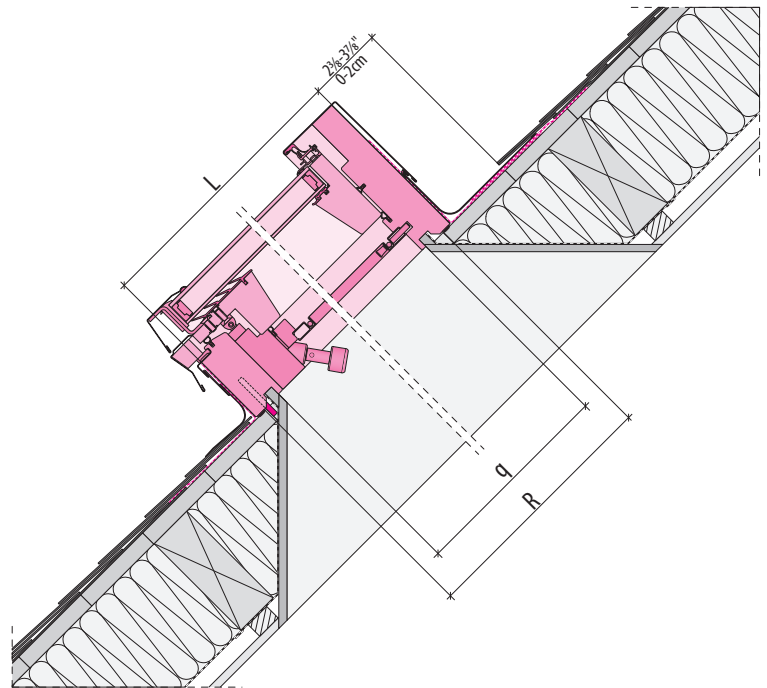
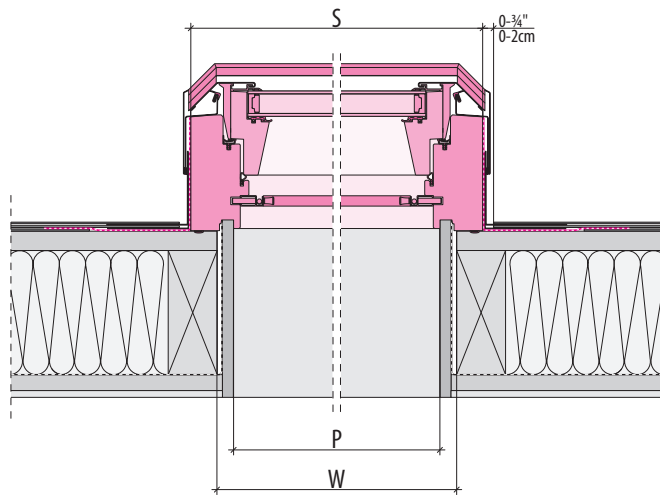
Flashings	- EH - for roof tiles, corrugated metal and standing seam - EL - for shingles and shakes
Ice and Water Guard	- Fakro Euroband or similar self-adhesive underlayment
Included mounting accessories	- Bit PZ2 50mm length - Bit PZ3 50 mm length - Nail 2,5x25 - Base pin - Countersunk head screws
External accessories	- SMZ solar awning blind
Internal accessories	- SRF blackout blind, SRP light reducing blind - Hex Ball adapter for control rod - SZS control rod

Features:

- suitable for roof pitches between 15-85 degrees
- low-emission and heat-reflecting double glazed glass
- warm spacer increases condensation resistance
- perimeter gasket underneath the frame
- double seals between the frame and the sash
- mosquito screen included
- operated with a crank or a control rod
- range of internal and external accessories available
- internal gasket system to collect and drain any possible condensation water to the outside

V. DIMENSIONS

Size		301	304	306	308	312	504	506	508	801	806
Rough opening (WxR)	in.	22 ¹ / ₂ x26 ¹ / ₂	22 ¹ / ₂ x37 ¹ / ₂	22 ¹ / ₂ x45 ¹ / ₂	22 ¹ / ₂ x54	22 ¹ / ₂ x70	30 ¹ / ₂ x37 ¹ / ₂	30 ¹ / ₂ x45 ¹ / ₂	30 ¹ / ₂ x54	46 ¹ / ₂ x26 ¹ / ₂	46 ¹ / ₂ x45 ¹ / ₂
Outside frame (SxL)	in.	24 ¹ / ₂ x27 ¹ / ₂	24 ¹ / ₂ x38 ¹ / ₂	24 ¹ / ₂ x46 ³ / ₈	24 ¹ / ₂ x55	24 ¹ / ₂ x70 ³ / ₄	32 ¹ / ₂ x38 ¹ / ₂	32 ¹ / ₂ x46 ³ / ₈	32 ¹ / ₂ x55	48 ¹ / ₂ x27 ¹ / ₂	48 ¹ / ₂ x46 ³ / ₈
Daylight area (glass)	sq. ft.	2.58	3.98	4.95	6.03	7.97	5.70	7.10	8.61	5.92	11.41
	m ²	0.24	0.37	0.46	0.56	0.74	0.53	0.66	0.80	0.55	1.06
Finished opening (pxq)	in.	20 ⁷ / ₈ x24 ⁷ / ₈	20 ⁷ / ₈ x35 ⁷ / ₈	20 ⁷ / ₈ x43 ³ / ₄	20 ⁷ / ₈ x52 ³ / ₈	20 ⁷ / ₈ x68 ¹ / ₈	28 ⁷ / ₈ x35 ⁷ / ₈	28 ⁷ / ₈ x43 ³ / ₄	28 ⁷ / ₈ x52 ³ / ₈	44 ⁷ / ₈ x24 ⁷ / ₈	44 ⁷ / ₈ x43 ³ / ₄



FAKRO America LLC
39 W. Factory Road, Addison, IL
Ph: 630-543-1010 / office@fakrousa.com