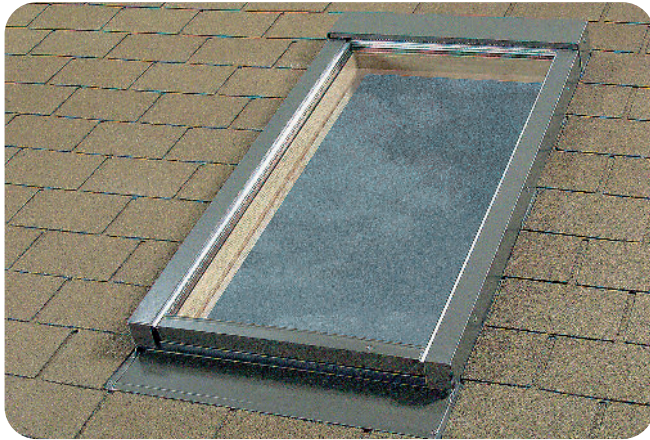


TECHNICAL SPECIFICATION



Features:

- suitable for roof pitches between 15-85 degrees
- low-emission and heat-reflecting double glazed glass
- warm spacer increases condensation resistance
- perimeter gasket underneath the frame
- range of internal and external accessories available
- internal gasket system to collect and drain any possible condensation water to the outside

Fixed Skylight FX



I. APPLICATION

Installation	required roof pitch 15°-85°
	deck mounted

II. FEATURES

Frame material	Pine - Pressure Treated
Frame finish	Two layers of clear acrylic lacquer
Glazing	G31 - Low-E tempered over laminated - double-pane glazing unit with warm TGI spacer and Argon gas
Gaskets System	Three rubber gaskets
Warranty	10 years for skylight and glazing

III. TECHNICAL PARAMETERS

Technical parameters	Glazing unit type		
	Unit	G31	Rating
U-factor	[BTU/h ft²F]	0.39	NFRC 100
Ug for glazing unit	[BTU/h ft²F]	0.19	EN 1279-5 +A2:2010
Solar Heat Gain Coefficient	-	0.21	NFRC 200
Air Leakage	[cfm/ft²] @ 1.57 psf, tested size 24x70	0.025	NFRC 400
Visible Transmittance	-	0.39	NFRC 200
UV protection	-	99.8	EN 1279-5 +A2:2010
Condensation Resistance	-	60	NFRC 500
Water Penetration Resistance Test Pressure	[Pa]	730	NAFS-08 & NAFS-11
Wind load resistance	Class C1/B1		EN 14351-1:2006+A1:2010
Impact resistance	Class 3 – 450 mm		

IV. ADDITIONAL PRODUCTS TO BE USED

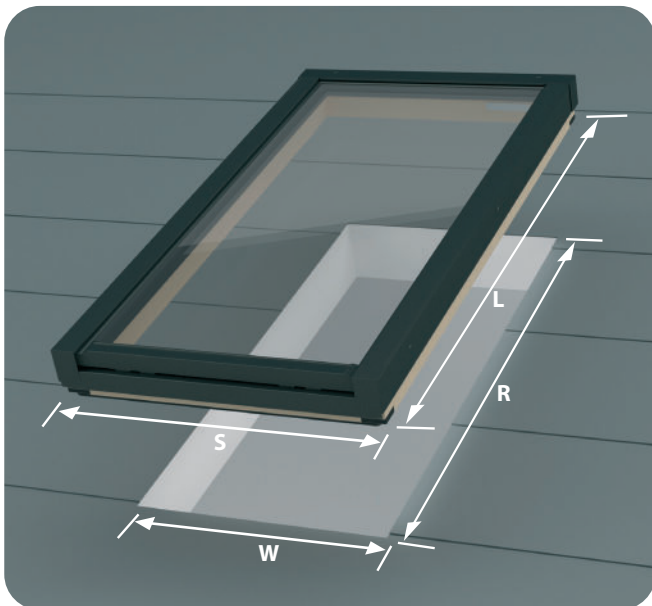
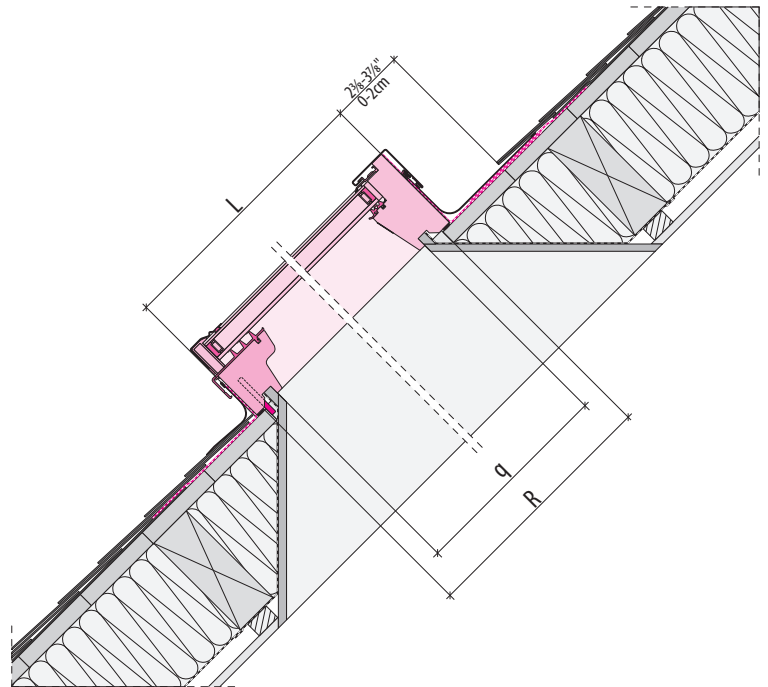
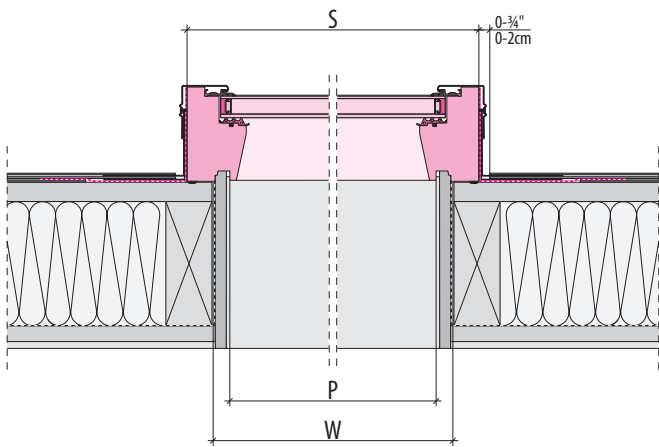
Flashings	EH - for roof tiles, corrugated metal and standing seam EL - for shingles and shakes
Included mounting accessories	- Bit PZ2 50mm length - Bit PZ3 50 mm length - Nail 2,5x25 - Base pin - Countersunk head screws
External accessories	- SMZ solar awning blind
Internal accessories	- SRF blackout blind, SRP light reducing blind

V. DIMENSIONS

Size		106	301	304	306	308	312	504	506	508	801	806
Rough opening (WxR)	in.	14 1/2 x 45 1/2	22 1/2 x 26 1/2	22 1/2 x 37 1/2	22 1/2 x 45 1/2	22 1/2 x 54	22 1/2 x 70	30 1/2 x 37 1/2	30 1/2 x 45 1/2	30 1/2 x 54	46 1/2 x 26 1/2	46 1/2 x 45 1/2
Outside frame (SxL)	in.	16 1/2 x 46 3/8	24 1/2 x 27 1/2	24 1/2 x 38 1/2	24 1/2 x 46 3/8	24 1/2 x 55	24 1/2 x 70 3/4	32 1/2 x 38 1/2	32 1/2 x 46 3/8	32 1/2 x 55	48 1/2 x 27 1/2	48 1/2 x 46 3/8
Daylight area (glass)	sq. ft.	3.34	3.12	4.63	5.70	6.78	8.93	6.46	7.97	9.58	6.89	12.59
	m ²	0.31	0.29	0.43	0.53	0.63	0.83	0.60	0.74	0.89	0.64	1.17
Finished opening (pxq)	in.	12 7/8 x 43 3/4	21 x 24 7/8	21 x 35 7/8	21 x 43 3/4	21 x 52 3/8	21 x 68 1/8	28 7/8 x 35 7/8	28 7/8 x 43 3/4	28 7/8 x 52 3/8	44 7/8 x 24 7/8	44 7/8 x 43 3/4

REPLACEMENT LINE

Size		106R	301R	304R	306R	308R	312R	504R	506R	508R	801R	806R
Rough opening (WxR)	in.	14 1/2 x 46	21 x 27 1/8	21 x 38 1/8	21 x 46	21 x 54 3/4	21 x 70 1/2	30 x 38 1/8	30 x 46	30 x 54 3/4	44 x 27 1/8	44 x 46
Outside frame (SxL)	in.	16 7/8 x 46 7/8	23 1/8 x 28	23 1/8 x 39	23 1/8 x 46 7/8	23 1/8 x 55 1/2	23 1/8 x 71 3/8	32 1/8 x 39	32 1/8 x 46 7/8	32 1/8 x 55 1/2	46 1/4 x 28	46 1/4 x 46 7/8
Daylight area (glass)	sq. ft.	3.47	2.92	4.31	5.30	6.39	8.38	6.46	7.95	9.58	6.67	12.09
	m ²	0.32	0.27	0.40	0.49	0.59	0.78	0.60	0.74	0.89	0.62	1.12
Finished opening (pxq)	in.	13 7/32 x 44 1/4	19 1/2 x 25 11/32	19 1/2 x 36 3/8	19 1/2 x 44 1/4	19 1/2 x 52 29/32	19 1/2 x 68 3/4	28 7/32 x 36 3/8	28 7/32 x 44 1/4	28 7/32 x 52 29/32	42 23/32 x 25 11/32	42 23/32 x 44 1/4



FAKRO America LLC
39 W. Factory Road, Addison, IL
Ph: 630-543-1010 / office@fakrousa.com