

## DELTA<sup>®</sup>-DRY STUCCO & STONE

### Ventilated Rainscreen with Pre-installed Mortar Screen for Manufactured Stone and Conventional Stucco Claddings Installation Instructions

#### Health and Safety

- Required safety equipment: hard hat, safety boots, gloves, safety glasses, fall arrest equipment.
- Always follow all safety precautions as directed by the Occupational Safety and Health Administration (OSHA-USA) or the Construction Safety Association (Canada).
- Please refer to Safety Data Sheets for all components and observe all recommended safety precautions therein.
- The general codes of practice for protection at work and instructions of the manufacturers for tools and components are to be observed at all times.

#### Recommended Materials

- DELTA<sup>®</sup>-DRY STUCCO & STONE
- DELTA<sup>®</sup>-BUG SCREEN
- DELTA<sup>®</sup>-FLEXX-BAND

#### Recommended Tools

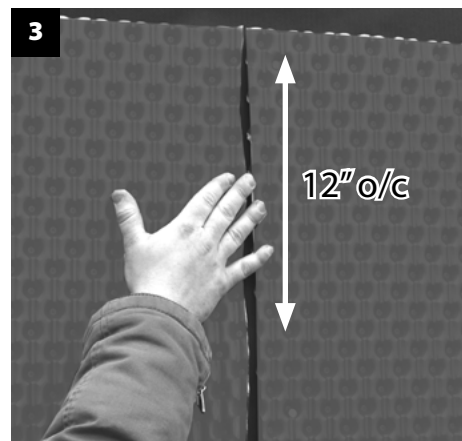
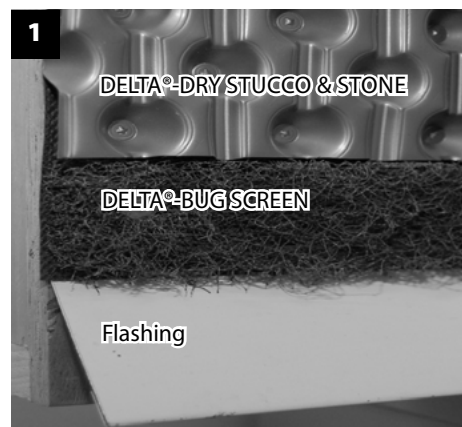
- Utility knife or scissors
- Measuring tape
- Hammer, automated nailing gun, or cordless drill
- 1"-1 ¼" corrosion-resistant coil roofing nails
- 1"-1 ¼" corrosion-resistant screws

#### Notes and Limitations

- These installation instructions for DELTA<sup>®</sup>-DRY STUCCO & STONE are intended only as a guide and are for the convenience of the contractors, specifiers, and other interested parties. The final application and details are the sole responsibility of the design authority on record for the project.
- Always confirm the local building code requirements prior to installation.
- Do not install DELTA<sup>®</sup>-DRY STUCCO & STONE in adverse weather conditions. High winds may hamper application.
- Local Building Codes may require two layers of WRB (Water-resistive Barrier) behind absorptive claddings such as plaster or manufactured stone veneer applied over wood-based sheathing. Where two layers of WRB are required, both layers should be applied according to manufacturer's recommended procedures directly over the wood-based sheathing to the interior side of DELTA<sup>®</sup>-DRY STUCCO & STONE.
- Window, door and other openings should be properly flashed and integrated into the WRB in accordance with ASTM E-2112-07 or AAMA 2400-02.
- Always follow cladding manufacturer's installation instructions.
- Ensure protrusions that may penetrate the membrane are removed from substrate.
- Product is not designed for permanent UV exposure. Always cover as soon as possible.

#### Installation

- For claddings on walls such as adhered manufactured stone veneer and plaster (stucco), install flashing with drip edge at bottom of wall, covering transition from exterior sheathing board (e.g. OSB) to foundation wall. Ensure that approved WRB terminates shingle-fashion over top of this flashing with drip edge.
- For ease of installation, work with two people.
- Fasten DELTA<sup>®</sup>-BUG SCREEN to the flashing with acceptable fasteners. Ensure bottom edge of DELTA<sup>®</sup>-BUG SCREEN is aligned with planned bottom termination of bottom edge of cladding.



- Cover the entire wall with DELTA®-DRY STUCCO & STONE wherever wall cladding is to be installed. Always unroll DELTA®-DRY STUCCO & STONE in a horizontal direction. Make sure the mortar screen (fabric) faces the installer.
- Place bottom edge of first course of DELTA®-DRY STUCCO & STONE directly on top of DELTA®-BUG SCREEN (see Detail 1).
- Proper ventilation at top and bottom of the wall is VERY IMPORTANT for system performance.
- As one person holds DELTA®-DRY STUCCO & STONE, the other installs the fasteners. Begin fastening DELTA®-DRY STUCCO & STONE in the middle of the membrane. Fasten DELTA®-DRY STUCCO & STONE maximum every 24" (60 cm) horizontally along the middle of DELTA®-DRY STUCCO & STONE (see Detail 2). Secure DELTA®-DRY STUCCO & STONE by fastening into the studs (wherever possible).

#### Side Laps and End Laps

- Side laps and end laps shall be placed tightly to the adjacent roll. Do not overlap or interlock DELTA®-DRY STUCCO & STONE.
- At end laps, fasten DELTA®-DRY STUCCO & STONE approximately every 12" (30 cm) vertically (see Detail 3).
- At side laps, fasten DELTA®-DRY STUCCO & STONE approximately every 12" (30 cm) horizontally (see Detail 4).

#### Installing Around Corners

- Install DELTA®-DRY STUCCO & STONE on inside corners as tightly as possible by pushing the membrane into the corner, then anchor in place with fasteners in the body (see Detail 5).
- Install DELTA®-DRY STUCCO & STONE on outside corners as tightly as possible by pressing the membrane around the corner, then anchor in place with fasteners in the body (see Detail 6).

#### Penetrations (e.g windows, doors, pipes, etc.)

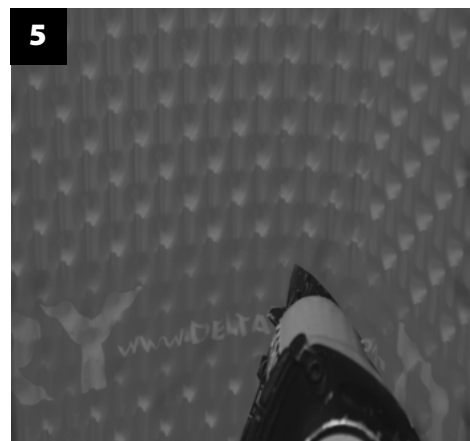
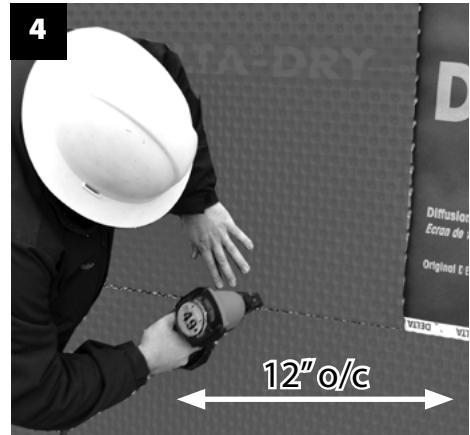
- Cut DELTA®-DRY STUCCO & STONE as tightly as possible around window, door, pipe, and other openings (see Detail 7).
- For the top of all windows and doors, install DELTA®-BUG SCREEN at bottom edge of flashing (planned bottom termination of bottom edge of cladding). Place bottom edge of DELTA®-DRY STUCCO & STONE directly on top of DELTA®-BUG SCREEN (see Detail 8).
- For the bottom of windows and doors wider than 6 ft (1.8 m), ventilation is required (see Detail 9). For windows and doors less than 6' (1.8 m) wide, no ventilation gap is required at the bottom.

#### Top of Wall

- At the top of walls, install wood blocking, cut to fit on site. Fasten DELTA®-BUG SCREEN directly against the bottom of the wood blocking. Ensure that the continuity of the approved WRB is maintained behind the wood blocking. The top of DELTA®-DRY STUCCO & STONE shall be installed directly against the bottom edge of DELTA®-BUG SCREEN (see Detail 10).
- To maintain proper ventilation, the wood blocking shall extend beyond the top edge of the cladding by at least 3/8" (10 mm).
- To protect the 3/8" (10 mm) air gap from wind-driven rain, fasten molding piece to the wood blocking. Ensure that it overlaps the cladding by a minimum of 2" (5 cm), depending on local wind conditions\* (see Detail 10).

#### Buildings Over Two Stories High

- On buildings over two stories high, a horizontal ventilation detail must be installed every two stories (see Detail 11).
- In climate zone 4C (Marine), a horizontal ventilation detail must be installed every story.



### Inspection and Clean-up

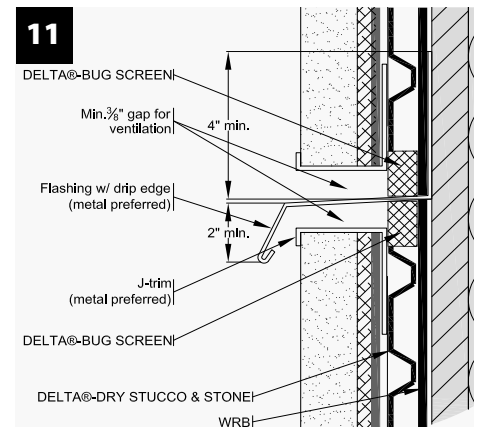
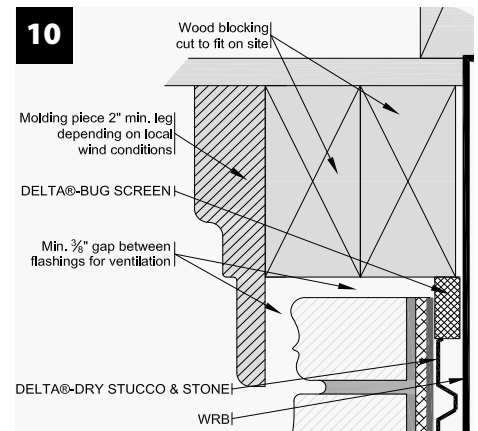
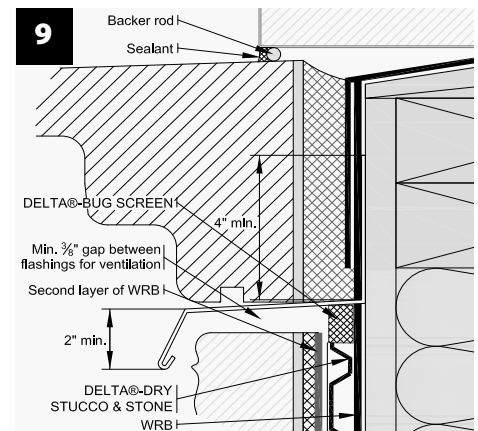
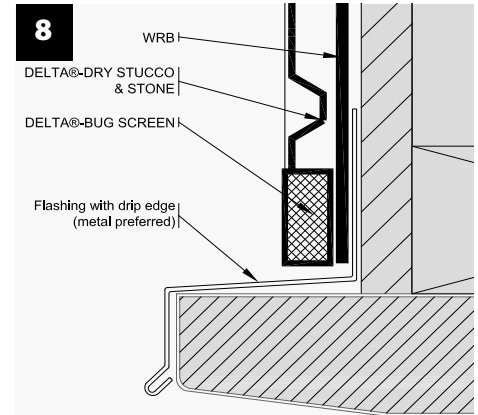
- Repair torn rainscreen as follows: Any, rips, tears or holes in the DELTA®-DRY STUCCO & STONE smaller than 2" in diameter should be patched with DELTA®-FLEX-BAND centered over the tear. Any rips, or holes larger than 2" in diameter should be patched with DELTA®-DRY STUCCO & STONE. Cut a piece of DELTA®-DRY STUCCO & STONE the diameter of the tear. Remove fabric the size of the patch from over the tear. Center the patch over the tear and fasten with approved fasteners or tape edges of patch with DELTA®-FLEX-BAND.
- Remove mud and similar marks with a water scrub. If chemicals have been spilled on DELTA®-DRY STUCCO & STONE, treat as a tear and repair as stated above.
- Ensure wall cladding is installed according to manufacturer's recommended procedures.
- Select cladding fasteners to allow for the additional thickness of DELTA®-DRY STUCCO & STONE.

### Disposal of Waste

- DELTA®-DRY STUCCO & STONE is made from environmentally friendly HDPE. Waste can be recycled where facilities allow.

For technical support, call our Technical Support Team at 1-888-433-5824 extension 326, or visit [www.dorken.com](http://www.dorken.com).

\* For areas with wind speeds greater than 60 mph (96 km/h), the leg of the vertical molding piece may need to be longer than 2" (5 cm).



**DÖRKEN** Dörken Systems Inc.  
4655 Delta Way  
Beamsville, Ontario  
L3J 0T6  
1-(905) 563-3255  
Fax: (905) 563-5582  
info@dorken.com  
www.dorken.com



The information printed in this brochure reflects product information and specifications at the date of printing. The manufacturer reserves the right to make changes when necessary. All rights

A **DÖRKEN** GROUP company

DELTA®-branded quality products  
manufactured by Dörken.

