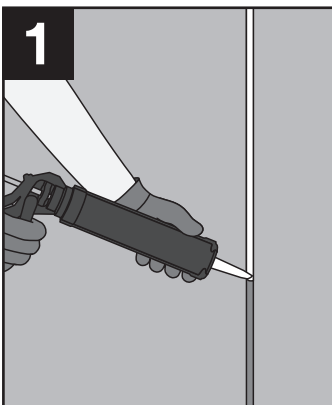




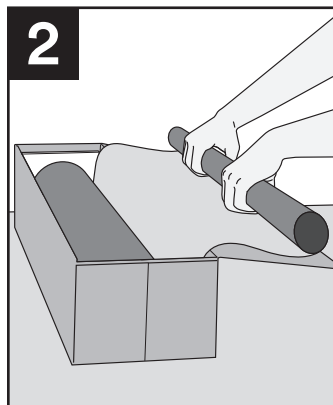
3M™ Air and Vapor Barrier 3015NP

3M™ Air and Vapor Barrier 3015NP is an air, moisture and water impermeable membrane with an aggressive, high-tack acrylic adhesive that does not require the use of a primer on most construction surfaces. The acrylic adhesive does not contain plasticizers, so it is compatible with most common building products. 3M™ Air and Vapor Barrier 3015NP is UV resistant for up to 12 months and can be applied in temperatures between 0°F and 150°F (-18°C and 66°C) ensuring that construction projects are not delayed due to severe temperatures. It even adheres to damp surfaces. The proprietary backing accepts a wide range of common sealants and meets nail sealability criteria per AAMA 711-20. 3M™ Air and Vapor Barrier 3015NP passes NFPA 285 as part of various wall assemblies and has a Class A fire rating per ICC AC 38.

Refer to 3M™ Air and Vapor Barrier 3015NP Specification Guide for detailed application information.



1
Prepare the wall. Any gaps greater than 1/2" requires backer rod and caulk. Gaps from 1/4"–1/2" require caulk. Concrete walls should have any void areas filled and any fins, mortar joints or screws should be flush with the wall.



2
The 3M™ Air and Vapor Barrier 3015NP box can be used as a dispensing unit. Cut the material to the desired length. There are 6" tick marks that can be used for measuring.



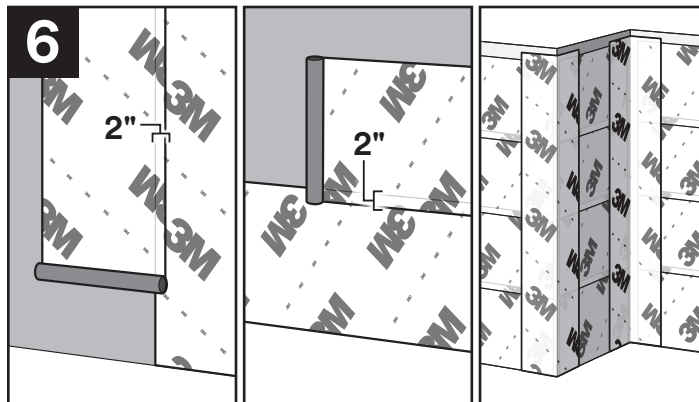
3
An effective application technique for 3M™ Air and Vapor Barrier 3015NP is to create a starter strip. To do this, create the release liner approx 1" and peel back to expose the adhesive on the air barrier.



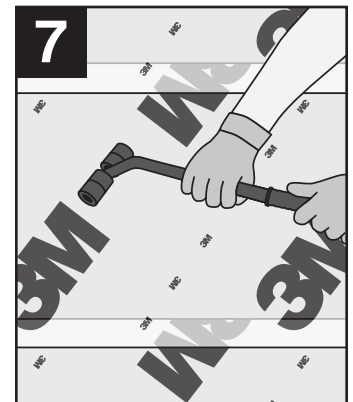
4
Roll the membrane back against the wall to adhere the starter strip. Unwind the roll against the wall while simultaneously pulling the release liner.



5
Wipe the membrane down with a feathering motion from the middle outward to obtain a smooth application.



6
Continue applying 3M™ Air and Vapor Barrier 3015NP until the entire surface is covered, ensuring a minimum of a 2" overlap. Apply in a shingle fashion starting at the bottom of the wall to prevent negative laps. 3M™ Air and Vapor Barrier 3015NP can be applied vertically or horizontally as long as there is a minimum 2" overlap. Inside and outside corners require a minimum 2" wide double layer on each wall.



7
All surface area covered with 3M™ Air and Vapor Barrier 3015NP requires applying pressure with a squeegee or rolling with a J-roller to ensure a tight bond.

3M™ Air and Vapor Barrier 3015NP Installation Best Practices

Substrate Surface Requirements

3M™ Air and Vapor Barrier 3015NP can be applied to a wide variety of sheathing substrates, typically without priming. Substrate condition is crucial to the adhesion performance of any adhesive membrane.

- Substrate surfaces must be free of grease, oil, un-bonded paint, corrosion or other substances that would adversely affect the adhesive bond between the membrane and substrate.
- Substrate surface must be dry to the touch for optimum performance.
- Substrate surface temperature must be between 0°F and 150°F (-18°C and 66°C).
- Rolls must be stored at a temperature between 0°F and 150°F (-18°C and 66°C) to ensure initial bond performance.

Surface Preparation

- Fill gaps and cracks exceeding 1/4" but less than 1/2" width with 3M™ Polyurethane Construction Sealant 540 (or similar), and tool the surface flush and smooth.
- Fill gaps exceeding 1/2" width with closed cell foam backer rod, seal with 3M™ Polyurethane Construction Sealant 540 (or similar), and tool the surface flush and smooth.
- Concrete substrates shall have fins ground flush and void areas filled.
- Masonry substrates must have mortar joints tooled or struck flush.

Substrate Specific Guidelines

- Exterior gypsum sheathing shall have moisture content below 19%, with no open joints or cracks wider than 1/2".
- Plywood sheathing shall have moisture content below 16%, with no open joints or cracks wider than 1/2".

Details, Penetrations, Windows and Doors

It is recommended to detail window and door penetrations before installing the field membrane, but post-installation is acceptable. All penetrations, including windows and doors, must be installed in proper sequence for appropriate moisture management. 3M recommends using 3M™ Air and Vapor Barrier 3015NP or 3M™ Ultra Conformable Flashing Tape 3015UC for flashing and detail work. Penetrations should be additionally sealed with 3M™ Polyurethane Construction Sealant 540 (or similar) to achieve a weather-tight result.

Learn about 3M's advanced technologies for controlling airflow and optimizing the indoor climate at [3M.com/airbarrier](https://www.3m.com/airbarrier) or contact your 3M representative at **866-513-4026**.



3M Industrial Adhesives and Tapes Division
3M Center, Building 225-3S-06
St. Paul, MN 55144-1000

Phone 866-513-4026
Web [3M.com/airbarrier](https://www.3m.com/airbarrier)

Technical Information: The technical information, guidance, and other statements contained in this document or otherwise provided by 3M are based upon records, tests, or experience that 3M believes to be reliable, but the accuracy, completeness, and representative nature of such information is not guaranteed. Such information is intended for people with knowledge and technical skills sufficient to assess and apply their own informed judgment to the information. No license under any 3M or third party intellectual property rights is granted or implied with this information. **Product Selection and Use:** Many factors beyond 3M's control and uniquely within user's knowledge and control can affect the use and performance of a 3M product in a particular application. As a result, customer is solely responsible for evaluating the product and determining whether it is appropriate and suitable for customer's application, including conducting a workplace hazard assessment and reviewing all applicable regulations and standards (e.g., OSHA, ANSI, etc.). Failure to properly evaluate, select, and use a 3M product and appropriate safety products, or to meet all applicable safety regulations, may result in injury, sickness, death, and/or harm to property. **Warranty, Limited Remedy, and Disclaimer:** Unless a different warranty is specifically stated on the applicable 3M product packaging or product literature (in which case such warranty governs), 3M warrants that each 3M product meets the applicable 3M product specification at the time 3M ships the product. 3M MAKES NO OTHER WARRANTIES OR CONDITIONS, EXPRESS OR IMPLIED, INCLUDING, BUT NOT LIMITED TO, ANY IMPLIED WARRANTY OR CONDITION OF MERCHANTABILITY, FITNESS FOR A PARTICULAR PURPOSE, OR ARISING OUT OF A COURSE OF DEALING, CUSTOM, OR USAGE OF TRADE. If a 3M product does not conform to this warranty, then the sole and exclusive remedy is, at 3M's option, replacement of the 3M product or refund of the purchase price. **Limitation of Liability:** Except for the limited remedy stated above, and except to the extent prohibited by law, 3M will not be liable for any loss or damage arising from or related to the 3M product, whether direct, indirect, special, incidental, or consequential (including, but not limited to, lost profits or business opportunity), regardless of the legal or equitable theory asserted, including, but not limited to, warranty, contract, negligence, or strict liability.

3M is a trademark of 3M Company. © 3M 2021. All rights reserved.